

**PALFINGER**

**P 160 A LOW SMART**

**YOUR NEW TOOL  
FOR JOBS IN CHAOTIC  
SITUATIONS IN TOWNS  
AND CITIES**

**LIFETIME EXCELLENCE**



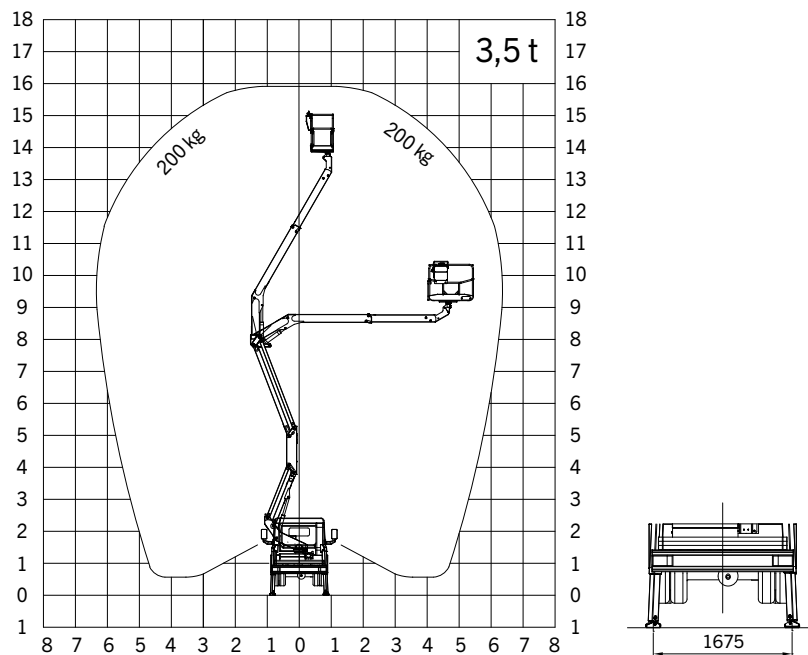
## TECHNICAL SPECIFICATIONS

|                                      |                   |
|--------------------------------------|-------------------|
| Maximum working height               | 16 m              |
| Maximum cage floor                   | 14 m              |
| Maximum lateral outreach             | 6.3 m *           |
| Angle of main boom                   | -30° + 60°        |
| Turntable rotation                   | 260°              |
| Basket capacity                      | 200 kg            |
| Basket dimensions                    | 1.4 x 0.7 x 1.1 m |
| Height in transport conditions       | 2.65 m            |
| Width in transport conditions        | 1.82 m            |
| Length in transport conditions       | 4.62 m            |
| Can be driven with a class B license |                   |

## OPTIONAL

|   |
|---|
| Fiberglass basket                             |
| Electric pump for internal use                |
| Adjustable 60 W headlamp on the basket        |
| Title alarm with audio signal                 |
| Insulation 1000 V                             |
| Basket rotation                               |
| Aluminium side panels                         |
| Paint upon request by the client, aerial part |

## WORKING DIAGRAMS \*



\* With basket rotation (opt)

## DIMENSIONS



SALES DEALER

Units shown in the leaflet are partially optional equipped and do not always correspond to the standard version.  
Country-specific regulations must be observed.  
Dimensions may vary. Subject to technical changes, errors and translation mistakes.